

FITTING INSTRUCTIONS

X-SERIES - GALLEY BOW STRUT



1 TOOLS REQUIRED

- Masking tape
- Centre-Punch
- Hammer
- Drill & Drill-bits
- Allen Key Set
- Rivet Gun

2 INSTALL THE BENCH-TOP MOUNT

- Mark two points on the galley bench 357mm and 391mm from the splashback on the passenger side (kerbside) wall of the camper, and 22mm from the splashback on the rear (door) wall (Fig. 1).
- **NOTE** - Stick some masking tape in the area to help marking the holes.
- Centre-punch the points and drill two 5mm holes.
- **NOTE** - drilling a smaller pilot hole first is recommended.
- Position the mount over the holes and fix with the rivets provided.

3 DRILL THE GALLEY BOW HOLE

- Measure 155mm up from the galley bench onto the galley bow, stick some masking tape in the area, mark and centre-punch the spot.
- Drill a 10mm hole through the galley bow. Make sure the hole is normal/perpendicular to the tube (See Fig. 2 & Fig. 3).
- **CAUTION!** - Take care when drilling, the galley bow may house some electrical wiring.

4 FIT THE STRUT

- Remove the fastening clip from the hydraulic end of the strut, insert the Ball Stud and fix it by re-inserting the fastening clip.
- Slide the stud through galley bow hole and fix in place with the Barrel Nut.
- Now remove the fastening clip from the rod end of the strut and fit it to the bench-top mount.
- **Congratulations!** Your installation is complete.

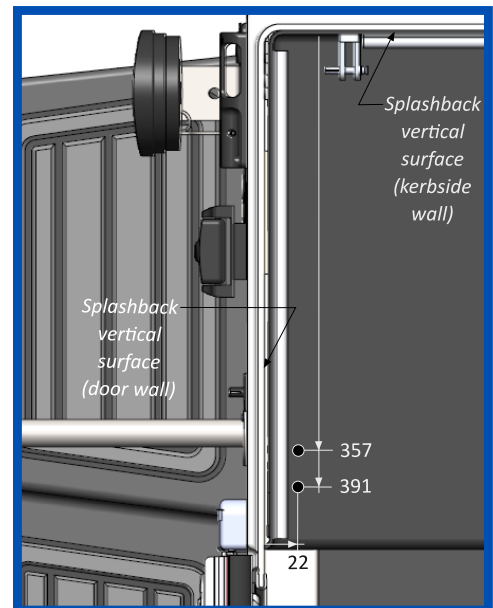


Fig. 1

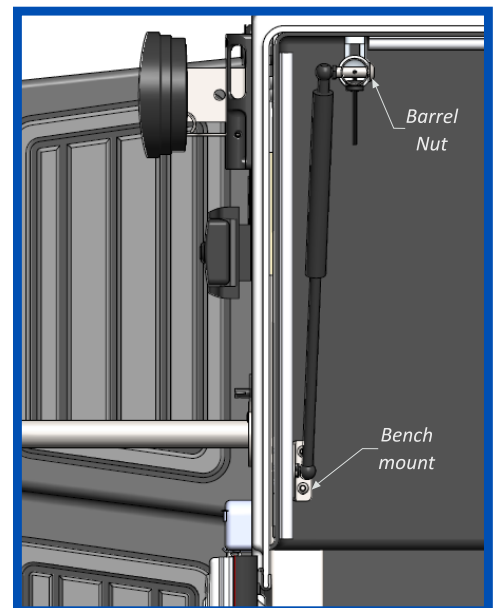


Fig. 2

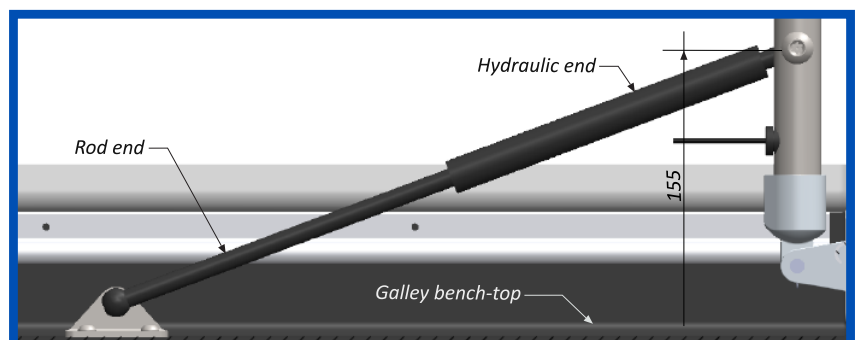


Fig. 3