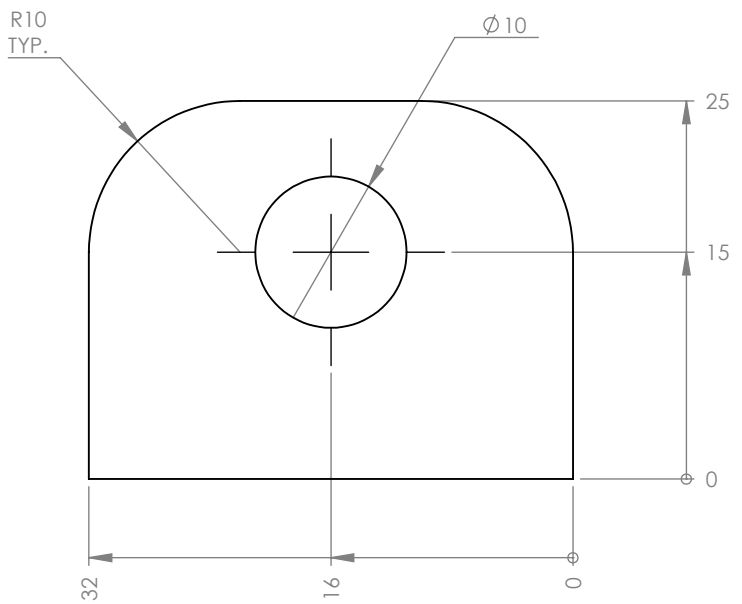


1 2 3 4 5 6

REV.	DATE	DESCRIPTION	DRAWN
V1.0	23-07-18	DRAWING RECREATED BASED OFF ORIGINAL PRODUCTION PART.	ROSS DAWE



A
B
C
D

DO NOT SCALE DRAWING			
UNLESS OTHERWISE SPECIFIED: • Drawing is in Third Angle projection • All dimensions are in millimetres • Tolerances ±0.5mm (parts) ±1mm (assemblies), ±0.5° • Debur and break sharp edges			
PROPRIETARY and CONFIDENTIAL. Information contained in this drawing is the sole property of Ultimate Campers. Any reproduction in part of as a whole without the written permission of Ultimate Campers is prohibited.			
	NAME	SIGNATURE	DATE
DRAWN	ROSS DAWE		23-07-18
CHK'D			
APPV'D			
MFG			
Q.A			

QUANTITY: 6 PER CAMPER (OPT.)
MATERIAL: MSPL 250 3.00
FINISH:
WEIGHT: g

 ULTIMATE CAMPERS 39-41 Shelley Rd, Moruya, NSW 2537 T: (02) 4474 4410 F: (02) 4474 4710 W: www.ultimatecampers.com.au	
CAMPER SERIES: X-SERIES - OUTRIGGER LEG	
DESCRIPTION: Outrigger Leg - Brace Tab	
DRAWING NAME: P00055 1.0	A4
SCALE:2:1	SHEET 1 OF 2

1 2